

# TrafficPTZ Ultimo

## Full HD PTZ IP camera system

- ✓ 1/2.8" Exmor CMOS sensor
- ✓ Full HD (2.38 MP) resolution
- ✓ H.264, MJPEG, optional MPEG-4, MPEG-2 compression
- ✓ 30x Optical zoom
- ✓ Temperature-hardened and IP66
- ✓ Day/Night with IR-cut filter
- ✓ Variable speeds 0.02-100°/s pan, 0.02-40°/s tilt
- ✓ Horizontal continuous rotation, vertical -90° / +40°
- ✓ Wind load ≤160 km/h operational, ≤200 km/h stationary
- ✓ Compliant to ONVIF Profile S, NTCIP 1205, NEMA TS2
- ✓ Wiper standard, washer options



### Description

The TrafficPTZ Ultimo is a high-precision, full-featured network PTZ camera providing high-quality, high-definition images. The tightly integrated 30x optical zoom, autofocus lens makes for the easiest installation and remote adjustment.

### Construction

The accurate top-mount construction ensures vision beyond the horizon and continuous rotation on the horizontal axis, combining high speed and absolute tracking accuracy, both in manual and in patrol mode. The TrafficPTZ Ultimo is temperature-hardened for demanding applications in cold or hot environments.

### Multistream high definition

The TrafficPTZ Ultimo cameras have multiple stream capability for simultaneous streaming of one or more H.264 streams, combined with MJPEG. Two independent H.264/MJPEG encoders can generate full-HD 1080p video streams at full frame rate. Optionally, a third encoder can be configured for MPEG-4 or MPEG-2, to guarantee backwards compatibility with many legacy control systems. Multiple combinations of resolution and frame rate can be configured to satisfy different live viewing and

recording scenarios.

### Open standards

Its careful assembly and compliance to open standards ensure that the TrafficPTZ Ultimo integrates with the most common VMSes out of the box. If you need to incorporate the camera's special features in your dedicated client software, the Programming Interface offers an easy HTTP API for guaranteed interoperability. This makes the camera an outstanding candidate for projects which require customisation. Moreover, being ONVIF Profile S compliant, the camera is supported even if your software does not have a dedicated driver.

### Day/Night, backlight compensation, and wide dynamic range

The TrafficPTZ Ultimo provides automatic day/night functionality, for use in low light situations. Backlight compensation enhances image visibility in difficult lighting situations. This ensures quality pictures at all times. Wide dynamic range solves the problem of overlit images by taking the better of two pictures with different light references.

# TrafficPTZ Ultimo

Full HD PTZ IP camera system

## Camera

Image sensor	1/2.8" Exmor CMOS
Video standards	PAL 25 fps, NTSC 30 fps
Output resolutions	1080p (1920x1080); 720p (1280x720); X VGA (1024x768); SVGA (800x600); D1 (720x480); VGA (640x480); CIF (352x240)
Effective pixels	1920 (H) x 1080 (V)
Shutter speed	1 ~ 1/10000 s
Signal-to-noise ratio	>50 dB (AGC off)
Minimum scene illumination	0.35 lux color, at 30IRE F1.6, AGC On
Horizontal field of view	63.7 ~ 2.3 degrees
Focal length	4.3 ~ 129 mm
Electronic image stabilization	Off, On

## Image control

Wide dynamic range	On/Off
WDR value	>130 dB
Backlight compensation	On/Off
White balance	Auto/Manual
Saturation	Manual
Hue	Manual
Exposure	Auto/Manual
Brightness	Manual
Contrast	Manual
Sharpness	Manual
3D Noise reduction	On/Off
Day/Night (IR-cut filter)	Auto/On/Off
Optical zoom	30x
Digital zoom	12x

## Video

Compression	H.264, MJPEG, optional MPEG-4 and MPEG-2
Aspect ratio	Selectable 16:9 or 4:3, without scaling, no transcoding, no black bars
Number of video streams	Configurable 1~4 encoder configurations

## Network

Interface(s)	100 Mbps FE Ethernet (RJ-45)
Protocols	IPv4, TCP/IP, UDP, RTP, RTSP, HTTP, HTTPS, ICMP, FTP, SMTP, DHCP, PPPoE, UPnP, IGMPv1/2/3, SNMPv1/2/3, QoS, ONVIF, 802.1X, NTCIP-1205

## Storage

Storage options	Micro SD card, 64 GB, NAS
Local recording	Continuous, scheduled, alarm

# TrafficPTZ Ultimo

Full HD PTZ IP camera system

## Powering

Power consumption	110 W
Power	230 Vac; 120 Vac; 24 Vac (separate models)

## Environmental

Operating temperature	Recommended continuous operating temperature: -35 °C / -31 °F (with heater) to +65 °C / 149 °F Temperature Certificate according to NEMA TS2 test C-G: -35 °C / -31 °F to +75 °C / +167 °F
Relative humidity	0% to 100%
MTBF (Mean Time Between Failures)	>100,000 hours at 50 °C

## Test specification

Category	Tests passed
EMC – Emission	EN 61000-6-3 (2007) + A1 (2011) EN 61000-3-2 (2014) EN 61000-3-3 (2013) FCC 47 CFR 15
EMC – Immunity	EN 61000-6-2 (2005) + AC (2005) EN 50130-4 (2011)
Environmental – Temperature	NEMA TS2 section 2.2.7.3 t/m 2.2.7.6 65°C continuous
Environmental – Vibration	NEMA TS2 section 2.2.8 TR2130C section 5
Environmental – Shock	NEMA TS2 section 2.2.9

## Mechanical

Housing materials	Aluminum and ABS, stainless steel fasteners
Coating	Epoxy polyester powder painting, RAL9002 color
Mounting	Top mount (OTT)
Transmission	Toothed belt driven
Backlash PTZ	0°
Cable glands	3x M16
Horizontal rotation (panning)	Endless 360 degrees (uses slip ring)
Vertical rotation (tilting)	-90° (vertical down) to +40° (upwards, above horizon)
Horizontal speed (variable)	From 0.02°/s up to 100°/s
Tilting speed (variable)	From 0.02°/s up to 40°/s
Speed-by-Zoom	Yes, for Optical zoom as well as Digital zoom
Preset accuracy	0.02°
Dimensions (h x w x d)	See drawings for dimensions
Weight	17 kg

# TrafficPTZ Ultimo

Full HD PTZ IP camera system

## Ordering information

<b>Models</b>	<b>Description</b>
TPU24	TrafficPTZ Ultimo Full HD PTZ IP camera system, 24 Vac
TPU120	TrafficPTZ Ultimo Full HD PTZ IP camera system, 120 Vac
TPU230	TrafficPTZ Ultimo Full HD PTZ IP camera system, 230 Vac

<b>Mounting accessories</b>	<b>Description</b>
TPTM01	Top Mount (Parapet) bracket for TrafficPTZ camera
TPWM01	Wall Mount bracket for TrafficPTZ camera
TPPM01	Pole Mount bracket for TrafficPTZ camera
TPCM01	Corner Mount bracket for TrafficPTZ camera

<b>Washer accessories</b>	<b>Description</b>
TPWP01	Washer pump 23L 11 m for TrafficPTZ camera, 230/120/24 Vac
TPWP02/230	Washer pump 23L 30 m for TrafficPTZ camera, 230 Vac
TPWP02/120	Washer pump 23L 30 m for TrafficPTZ camera, 120 Vac
TPWP03	Washer pump 5L 5 m for TrafficPTZ camera, 230/120/24 Vac
SA-WP10-10m-VSF 24 v2	10 liters washer tank, pump 10 m delivery head, 316L frame, 24 Vac

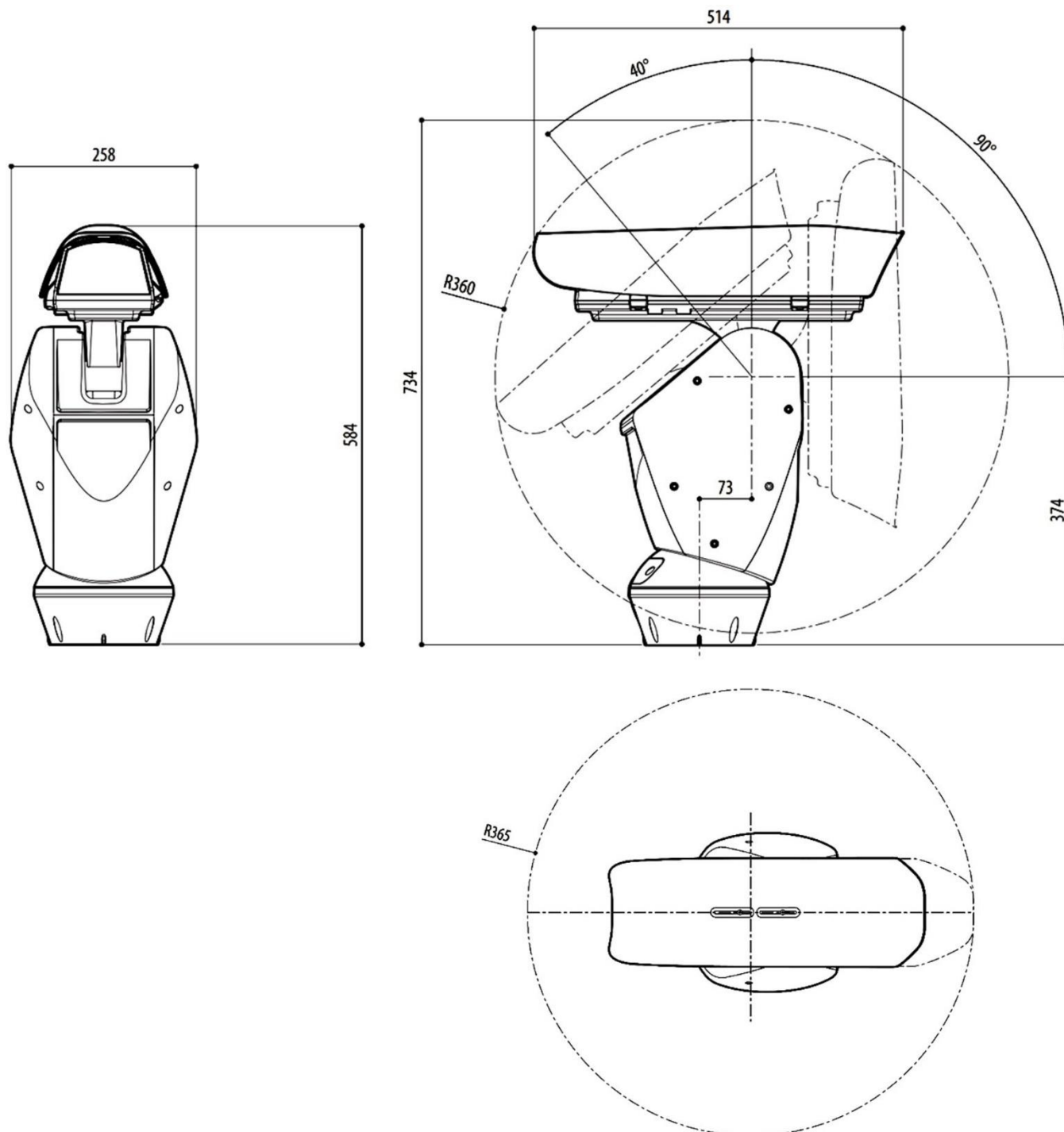
  

<b>Spares</b>	<b>Description</b>
BC840v2-TP	TrafficPTZ Ultimo Camera Module
TPSS01	Sunshield for TrafficPTZ and TFHx01

# TrafficPTZ Ultimo

Full HD PTZ IP camera system

## Dimensions



The quality management system used in the development, production, sales, and support of this product is ISO 9001 certified by LRQA.

© TKH Security Solutions 2017 - Version 1.5 - Subject to modification.

